

## ST45 LED

Źródło światła LED



 [V] 220-240 AC	 [Hz] 50	 FILAMENT	 [W] 0,5	 360° Φ <sub>use</sub>	 lm W 100	 [W] 5
 + ellipse ≤ 6x MacAdam	 Ra 80	 ≥15000	 [h] 15000	 Hg		 [°C] -25+40
 IK 04						



ST45 LED 0,5W E27-WW

	 [W] 26045	 [W] 0,5	 [lm] Φ <sub>use</sub> 50	 T <sub>c</sub> [K] 2700	 [°] 220	 E27
--	------------------	----------------	---------------------------------	--------------------------------	----------------	---------

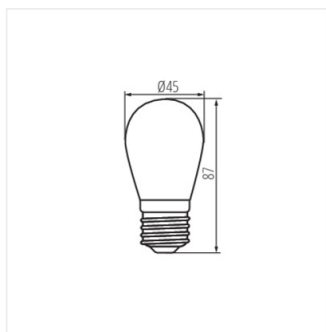


ST45 LED 0,5W E27-WW

## ST45 LED

---

Źródło światła LED



ST45 LED 0,5W E27-WW