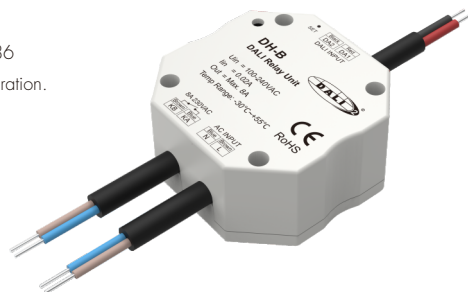




Features

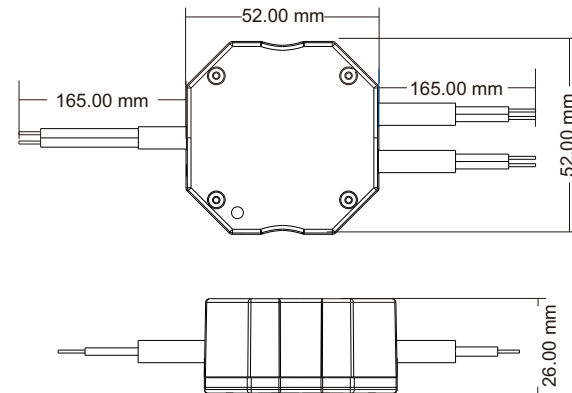
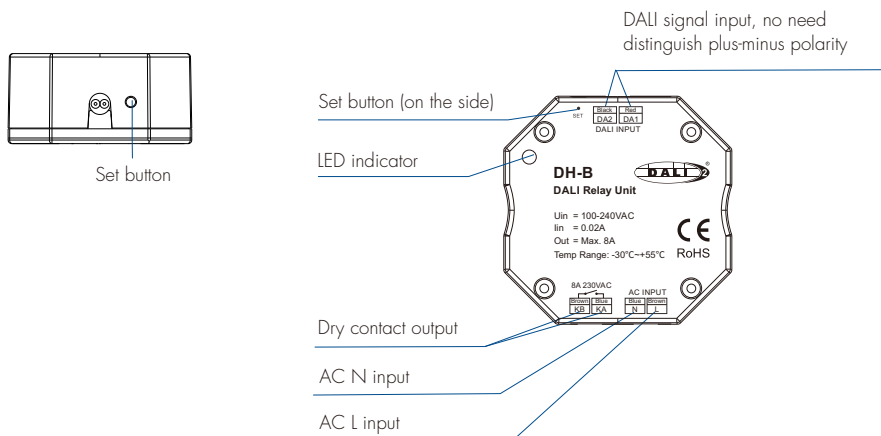
- 1 DALI address, 1 channel 8A dry contact mains rated relay output.
- Powered by AC 100-240V.
- DALI-2 certified, in accordance with DALI standard protocol IEC 62386 and in compliance with DALI products from other international incorporation.
- Compliant DALI device type 7.
- High-inrush specification relays (single pole, normally open).
- Connect with external push switch to achieve on/off function.
- Zero cross switching function.



Technical Parameters

Input and Output		Environment		Safety and EMC	
Input voltage	100-240VAC	Operation temperature	Ta: -30°C ~ +55°C	EMC standard	EN IEC 55015/ EN IEC 61547
Input current	0.02A	Case temperature (Max.)	Ta: +60°C	Safety standard	EN 61347-1/-2 EN 62493
Relay contacts	single-pole, single-throw (SPST) relay.	IP rating	IP20	Certification	CE RoHS DALI-2
Max relay load current	8A resistive load (incandescent lamp)	Package	Size	Warranty and Protection	
	6A Capacitive load (LED dimming driver)				
	4A inductive load (fluorescent lamp)				
		Gross weight	0.089kg	Warranty	5 years

Mechanical Structures and Installations



Operation

1. DALI switch

DALI signal port connect with DALI Master controller.
DALI address can be assigned by DALI Master controller automatically.
Please refer to user manuals of compatible DALI Masters for specific operations.

2. Push switch

DALI signal port connect with push switch.
Short press: Turn on or off light.
Long press 10s: Synchronizes multiple relay switch connected to the same push switch to the on state.

3. Set button

Short press: Turn on or off light.
Long press 10s: The relay switch is restored to its factory default state, i.e., the relay switch is on and the DALI address is not assigned.

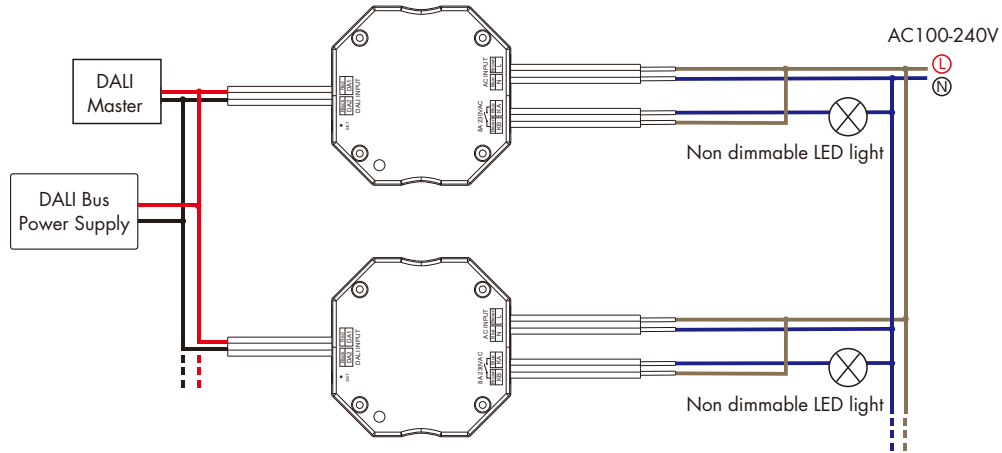
Wiring Diagram



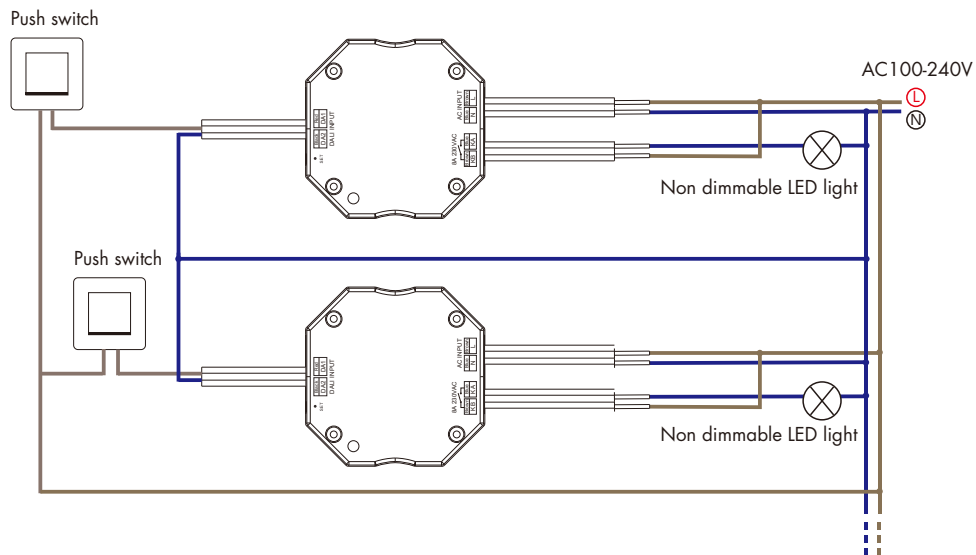
Caution:

1. Please carefully ensure all wire connections and polarities are correct and secure before applying power, otherwise this controller will be damaged.
2. DO NOT install with power applied to device.
3. DO NOT expose the device to moisture.

● DH-B connect with DALI master



● DH-B connect with AC push switch



LED indicator status:

When the relay switch is working normally, the LED indicator light is blue.

When the internal temperature of the relay switch is too high ($\geq 110^{\circ}\text{C}$), the LED indicator light is red, after removing the fault, the LED indicator light return blue.

When the relay switch receives DALI signal, the LED indicator light flashes once.

Note:

1. DALI interface and AC PUSH interface are compatible, DALI and AC PUSH can only be connected to one, not at the same time.
2. When connecting to the AC PUSH switch, note that the re wire (L) and zero wire (N) are connected to DA1 and DA2 respectively, and cannot be connected to DA1 or DA2 at the same time.
3. We recommend the number of relay switch connected to a push switch does not exceed 25 pieces, The maximum length of the wires from push to relay switch should be no more than 20 meters.