



CorePro LEDspot AR111



CorePro LEDspot 14-100W 830 AR111 40D

CorePro LEDspot AR111 are a perfect fit for spot lighting and deliver warm halogen-like light. They are compatible with most existing fixtures with a G53 base and are designed as a retrofit replacement for halogen spots. CorePro LEDspot AR111 deliver significant energy savings and minimize maintenance cost.

Product data

General Information		Operating and Electrical	
Cap-Base	G53 [G53]	Input Frequency	- Hz
EU RoHS compliant	Yes	Power (Nom)	14 W
Nominal Lifetime (Nom)	15000 h	Lamp Current (Nom)	1330 mA
Switching Cycle	50000X	Wattage Equivalent	100 W
Flux measurement reference	Narrow Cone	Starting Time (Nom)	0.5 s
		Warm Up Time to 60% Light (Nom)	1 s
Light Technical		Power Factor (Nom)	0.7
Color Code	830 [CCT of 3000K]	Voltage (Nom)	ac electronic 12 V
Beam Angle (Nom)	40 °		
Luminous Flux (Nom)	1160 lm	Temperature	
Luminous Intensity (Nom)	2200 cd	T-Case Maximum (Nom)	80 °C
Color Designation	White (WH)		
Correlated Color Temperature (Nom)	3000 K	Controls and Dimming	
Luminous Efficacy (rated) (Nom)	82.00 lm/W	Dimmable	No
Color Consistency	<6		
Color Rendering Index (Nom)	80	Mechanical and Housing	
LLMF At End Of Nominal Lifetime (Nom)	70 %	Bulb Finish	Clear
Luminous Flux in 90° Cone (Rated)	1160 lm	Bulb Shape	AR111

CorePro LEDspot AR111

Approval and Application

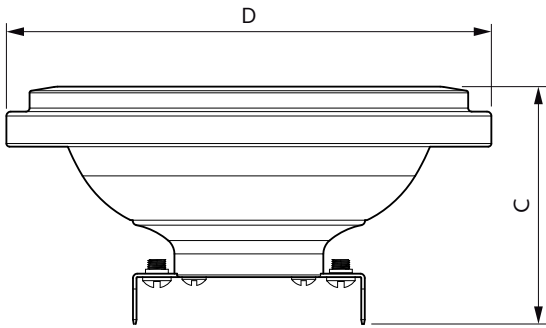
Energy Efficiency Class	F
Suitable For Accent Lighting	Yes
Energy Consumption kWh/1000 h	14 kWh
EPREL Registration Number	491864

Product Data

Full product code	871951430536600
Order product name	CorePro LEDspot 14-100W 830 AR111 40D

EAN/UPC - Product	8719514305366
Order code	929002965202
Numerator - Quantity Per Pack	1
Numerator - Packs per outer box	6
Material Nr. (12NC)	929002965202
Net Weight (Piece)	0.160 kg

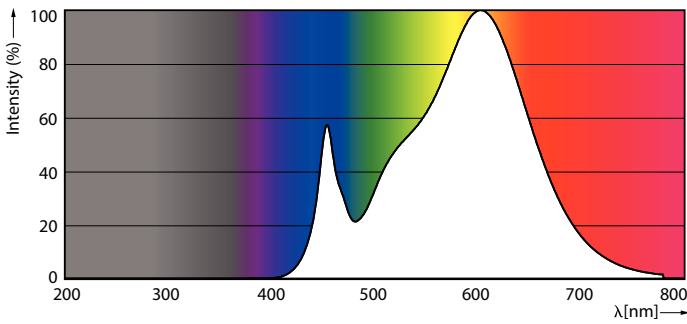
Dimensional drawing



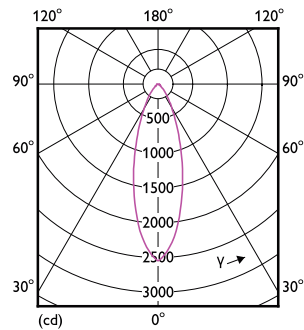
AR111 12V 19-100W 1160lm 40D 3000K ND

Product	D	C
CorePro LEDspot 14-100W 830 AR111 40D	110.7 mm	55 mm

Photometric data



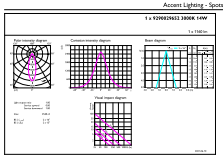
LEDspots_Corepro_14W_AR111_G53_830_40D POC POC



LEDspots_Corepro_14W_AR111_G53_830_40D LDD LDD

CorePro LEDspot AR111

Photometric data



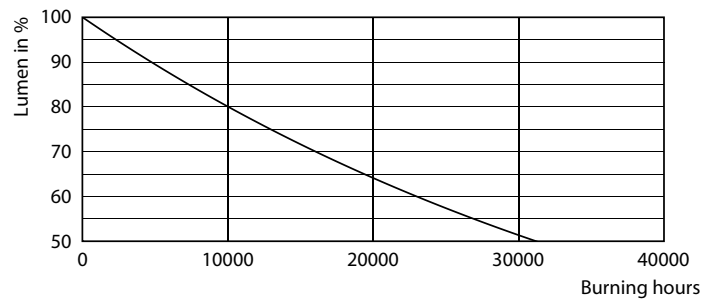
© 2021 Philips Lighting B.V. Page 1/1

LEDspots_Corepro_14W_AR111_G53_830_40D ADL ADL

Lifetime



15K LED



15K LMP

