

PHILIPS

Lighting



MASTER LEDspot ExpertColor AR111



MAS ExpertColor 10.8-50W 927 AR111 9D

The MASTER LEDspot LV ExpertColor creates a warm and comfortable ambience for hospitality venues, homes and restaurants. It creates ambience with superior lighting that has a customised spectrum, high CRI and deep dimming features. The result? A beautiful lighting experience. What's more, the innovative, trimless lens design will also suit almost any interior decor with its clean and neat look. In addition, you can take advantage of the full ExpertColor family, which also includes LEDspot LV and LEDspot Par lamps.

Product data

| General information | |
|--|-----------------------|
| Cap base | G53 [G53] |
| EU RoHS compliant | Yes |
| Nominal lifetime (nom.) | 40000 h |
| Switching cycle | 50,000X |
| | Narrow Cone |
| Light technical | |
| Colour Code | 927 [CCT of 2,700 K] |
| Beam Angle (Nom) | 9 ° |
| Luminous flux (nom.) | 600 lm |
| Luminous intensity (nom.) | 8000 cd |
| Colour designation | Warm white (WW) |
| Correlated Colour Temperature (Nom) | 2700 K |
| Luminous efficacy (rated) (nom.) | 55.00 lm/W |
| Colour consistency | <4 |
| Colour rendering index (nom.) | 95 |
| LLMF at end of nominal lifetime (nom.) | 70 % |

| Luminous flux in 90° cone (rated) | 600 lm |
|-----------------------------------|----------------------------|
| Operating and electrical | |
| Input frequency | 50 to 60 Hz |
| Power (Rated) (Nom) | 10.8 W |
| Lamp current (nom.) | 1000 mA |
| Wattage equivalent | 50 W |
| Starting time (nom.) | 0.5 s |
| Warm-up time to 60% light (nom.) | 0.5 s |
| Power factor (nom.) | 0.7 |
| Voltage (Nom) | ac electronic 12 V |
| Temperature | |
| T-Case maximum (nom.) | 70 °C |
| Controls and dimming | |
| Dimmable | Only with specific dimmers |

MASTER LEDspot ExpertColor AR111

Mechanical and housing

| | |
|-------------|-------|
| Lamp Finish | Clear |
| Bulb shape | AR111 |

Approval and application

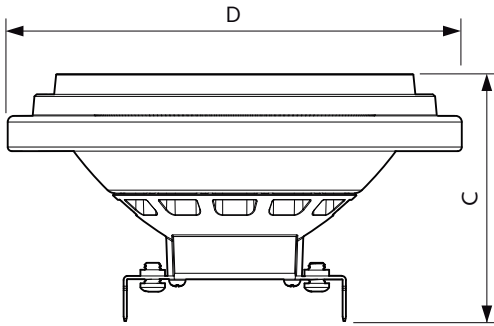
| | |
|------------------------------------|--------|
| Energy Efficiency Class | G |
| Suitable for accent lighting | Yes |
| Energy consumption kWh/1,000 hours | 11 kWh |
| | 648245 |

Product data

| | |
|-------------------|-----------------|
| Full product code | 871951433391800 |
|-------------------|-----------------|

| | |
|-----------------------------------|---------------------------------------|
| Order product name | MAS ExpertColor 10.8-50W 927 AR111 9D |
| EAN/UPC – product | 8719514333918 |
| Order code | 33391800 |
| SAP numerator – quantity per pack | 1 |
| Numerator – packs per outer box | 6 |
| SAP material | 929003043202 |
| Copy Net Weight (Piece) | 0.160 kg |

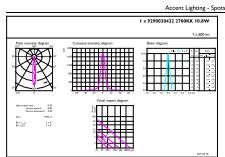
Dimensional drawing



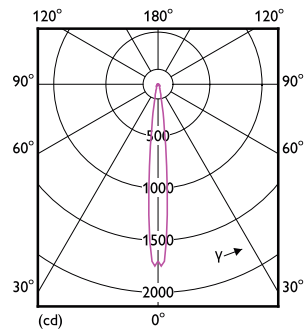
MAS ExpertColor 10.8-50W 927 AR111 9D

| Product | D | C |
|---------------------------------------|--------|-------|
| MAS ExpertColor 10.8-50W 927 AR111 9D | 111 mm | 61 mm |

Photometric data



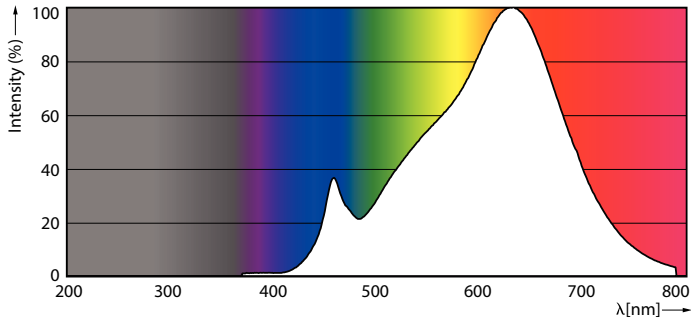
LEDspots MAS SLR 10,8W AR111 G53 927 9D-ADL ADL



LEDspots MAS SLR 10,8W AR111 G53 927 9D-LDD LDD

MASTER LEDspot ExpertColor AR111

Photometric data



LEDspots MAS SLR 10,8W AR111 G53 927 9D-POC POC

Lifetime



Life Expectancy Diagram



Lumen Maintenance Diagram

